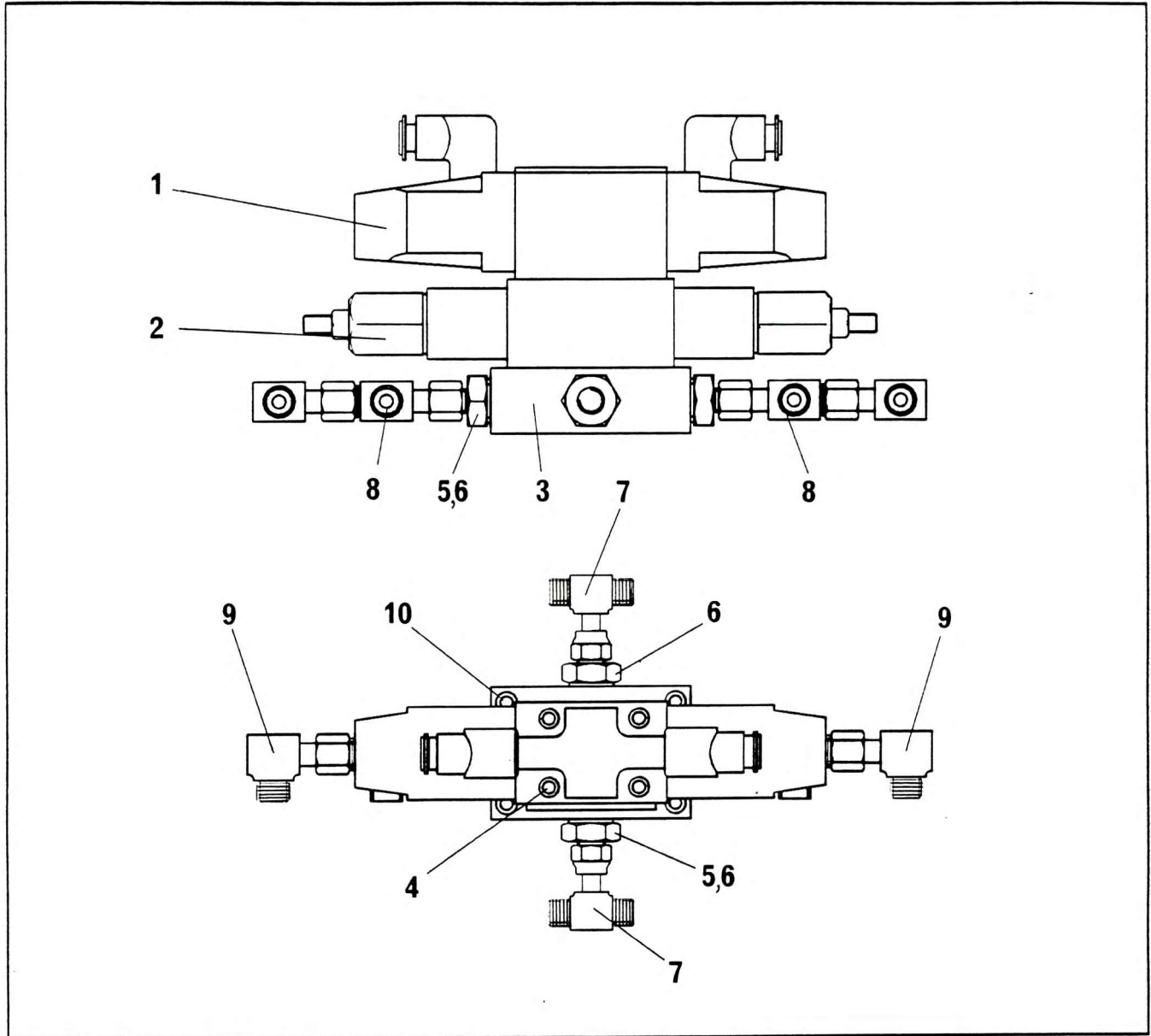


REAR STEER VALVE ASSEMBLY



NO.	PART NO.	QTY.	DESCRIPTION	NO.	PART NO.	QTY.	DESCRIPTION
1 +	7-926-990299	1	Double Acting Solenoid Valve				
2 +	7-926-990348	1	Pressure Relief Module				
3	8592964	1	Solenoid Subplate				
4	7097657	4	Socket Head Cap Scrwe M5 x 90 Long				
5	7355204	4	Bonded Seal 3/8" BSP				
6	7-443-990912	4	Adaptor 3/8" BSP/ORFS				
7	7-447-060634	2	Female Run Tee				
8	7-447-060635	2	Branch Tee				
9	7-447-060633	2	90° Elbow				
10	7097612	4	Socket Head Cap Screw M5 x 30 Long				

+ See further breakdown in this group

6-294-991926
Issue No. 01